



MEGS250QT



JOB NAME: _____
 DATE: _____
 TYPE: _____

DESCRIPTION

Mega flood with steel trunnion mount allows easy surface mounting for aiming flexibility. Factory wired with QT CWA-HPF ballast and 3-foot flexible cord. Adjustable aiming over 180° arc. Mounting can be locked securely in place. Lamp supplied.

SPECIFICATIONS

Finish:

Chip and fade resistant polyester powder coating

Housing:

One-piece die cast aluminum with die cast door frame held captive when opened

Lens Gasket:

High temperature extruded silicone set in die cast retaining groove. Remains in place during relamping

Lens:

Thermal, tempered shock resistant glass, 5/32" thick

Reflector:

High quality anodized aluminum eliminates redirected energy to prolong lamp life. Contoured for maximum horizontal and vertical beam dispersion.

UL Listing:

Suitable for wet locations. Suitable for mounting within 4' of the ground.

Socket:

3 socket positions customize beam spread to the application (center position is standard). Porcelain socket pulse rated 4kv, 1500 watts and 600 volts, reinforced with cat's eyes for added durability. Silicone and fiberglass #14 gauge socket leads rated for 200° C. Plated screw shell designed to resist corrosion with spring loaded center contact

EPA:

2.1

Patents:

RAB sensor and fixture designs are protected under U.S. and International Intellectual Property laws.

Quad Tap:

Fixture works with 120, 208, 240 and 277 Volts

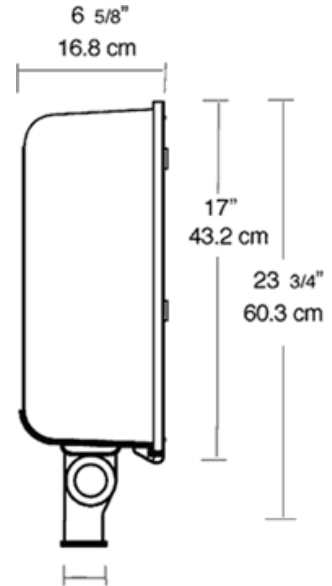
Color:

Bronze

Weight:

32.9

DIMENSIONS



Fits 2 3/8" (O.D.) Tenons

ORDERING INFORMATION

High Pressure Sodium Lamp supplied with fixture	Total Watts	Lamp Type	Lamp Base	Ballast	Starting Amps/ Operating Amps				Input Watts	LAMP ANSI	Initial Lumens	Lamp Hours
					120V	208V	240V	277V				
	250	ED18	Mogul	CWA-HPF QT	1.7/2.5	1.0/1.5	.8/1.3	0.7/1.1	295	S50	29000	24000

Factory Installed Options
 Add suffix to Catalog Number

Swivel Photocontrol wired for 120V (/PCS)
 Single fusing for 120 and 277 volt. (/F)
 Double fusing for 208 and 240 volt. (/FF)

Button Photocontrol wired for 480V (/PC4)
 Button Photocontrol wired for 277V (/PC2)
 Button Photocontrol wired for 120V (/PC)
 480 volt ballast (substitute /480 for QT) (/480)

Note: Specifications may change without notice